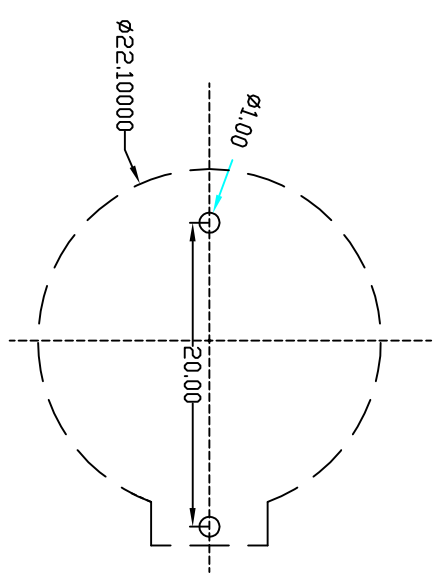
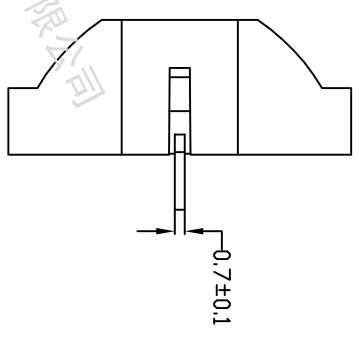
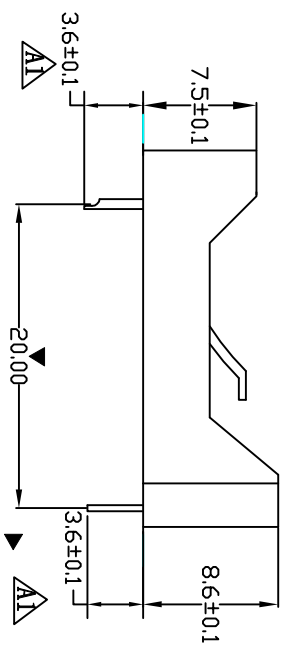
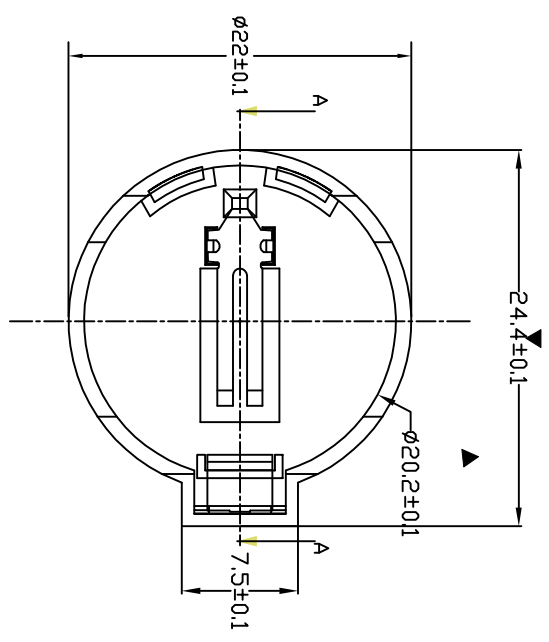
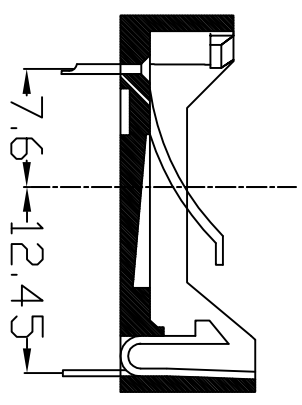


REV.	MATTER	APP.	DATE
A			



PCB HOLE LAYOUT



SECTION A-A

- NOTE:
- MATERIAL:
 - HOUSING: THERMOPLASTIC GLASS FIBRE UL94V-0
 - CONTACT: Phosphor bronze
 - Plating: SN100~120U",
 - ELECTRIC:
 - CONTACT RESISTANCE: 30 MILLIOHMS MAX
 - INSULATION RESISTANCE: 1000 MEGA OHMS MIN
 - DIELECTRIC VOLTAGE: 750V AC ONE SEC LEVEL
 - OPERATING TEMPERATURE: -30~C~ +80~C

深圳市琦捷电子有限公司

TOLERANCE		DRAWN		UNIT:		TITLE:	
LINEAR	ANGLE	李杰	MM	阻燃电池座QJ (BS-2-1)			
x. ±1	x. ±5'	APPROVED	SCALE:	PART NO.	REV.		
.xx ±0.38	.x' ±2'	2021.06.06	1/1	QJCR2032-2-1(3.6)	A		
.xxx ±0.10	.xx' ±1'	DATE	SIZE:	DWG. NO.	SHEET		
		2021.06.06	A4	QJ-BS-2-1	1 OF 1		