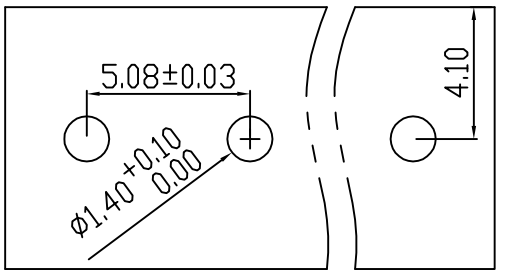
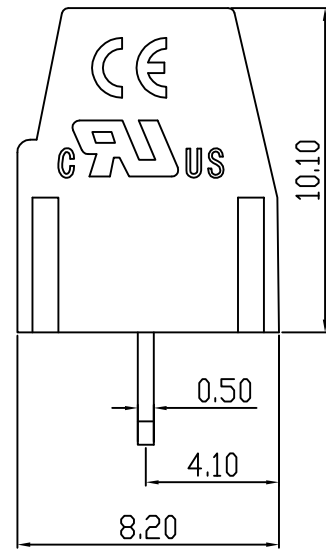
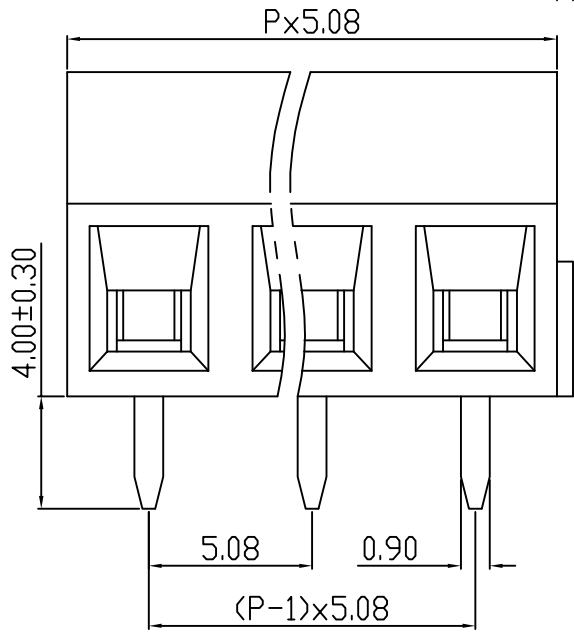
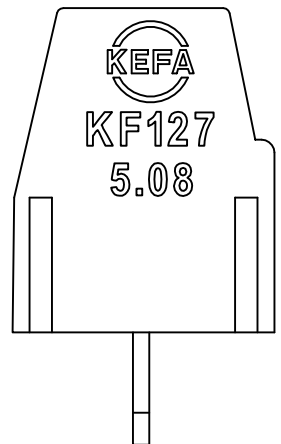
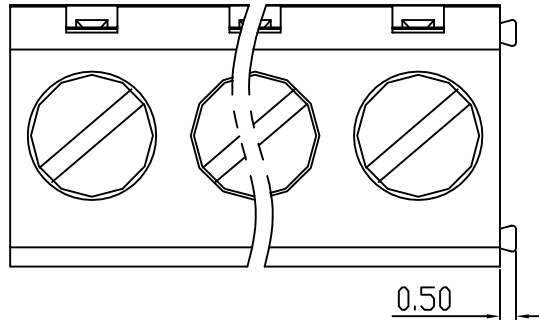


linear dimension(Tolerances Standard GB/T 14486-2008)								—	\square	\perp
variable range	to 6	over 6 to 10	over 10 to 30	over 30 to 60	over 60 to 100	over 100 to 160	over 160 to	to 10	over 10 to 100	over 100 to
tolerance	±0.20	±0.30	±0.50	±0.70	±1.00	±1.30	±1.60	0.10	0.30	0.60

REVISION RECORD				
REV.	DESCRIPTION	ECN No.	APPROVED	DATE
A	新发行		CLF	21.03.13



PCB LAYOUT



UL/CUL 技术参数 UL/CUL Technical Data					
等级	Use Group	B	C	D	
额定电压	Rated Voltage [V]	300	-	300	
额定电流	Rated Current [A]	10	-	10	
接线范围	Wire Range				
单/多芯线	Solid/Stranded [AWG]				26-14
耐电压	Withstanding Voltage				1600V/1Min
IEC 技术参数 IEC Technical Data					
过电压类别	Overvoltage Category	III	III	II	
污染等级	Contamination Class	3	2	2	
额定电压	Rated Voltage [V]	250	400	500	
额定电流	Rated Current [A]	15	15	15	
额定冲击电压	Impulse withstand voltage ^a [KV]	4.0	4.0	4.0	
导线截面积	Conductor cross section				1.5
硬质/柔性导线	Solid/flexible [mm ²]				
材料 Material					
绝缘材料	Insulation Material				PA66
阻燃等级	Flammability				UL94V-0
导体材料	Contacting Material				铜合金 Copper alloy
导体表面镀层	Contactive Coating				镀锡 Tin Plated
一般参数 Other Data					
间距	Pitch [mm]				5.08
极数	Poles [P]				2-24
剥线长度	Stripping Length [mm]				4-5
螺丝	Screw/扭矩 Torque(Max) [N.m]				M2.5/0.4
工作温度	Operating temperatur [°C]				-40~+105
引针尺寸	Pin Dimensions [mm]				4.0
PCB板孔径	PCB Hole Diameter [mm]				1.4

DES.	LQQ	DATE	21.03.13
CHK.	SY	DATE	21.03.13
APP.	CLF	DATE	21.03.13

单位 / UNITS mm 尺寸 / SIZE A4 比例 / SCALE 1:1

慈溪市科发电子有限公司
CIXI KEFA ELECTRONIC CO., LTD

第三视角 / THIRD ANGLE PROJECTION

版本 / REV A

名称 / TITLE **KF127-5.08**